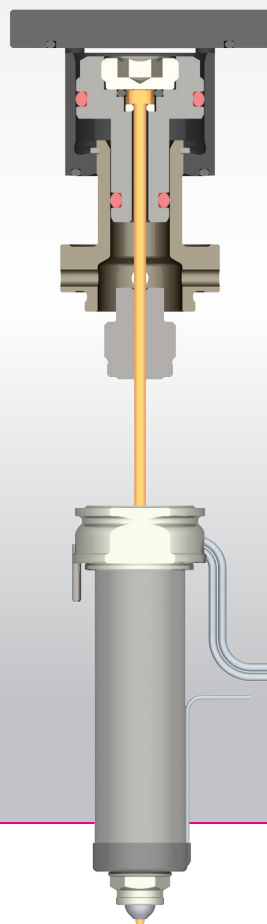


# MVG25 Valve Gate Technology



smart hot runner solutions



The MVG25 (Manifold Valve Gate) system is ideal for small to medium applications which require close cavity, high speed, sequential filling or highly cosmetic gates. Due to its multiple gating options and lack of material traps it will operate with demanding materials. The MVG25 is designed for easy installation due to simple mounting in the backplate with integral airways.

## Mould Design

- Ability for close nozzle spacing. Standard minimal pitching is 55mm (can be modified to fit 43mm pitching)
- Backplates can be as thin as 50mm
- Easy machining of the pockets
- Pneumatic circuit is integrated with the backplate

## Operation

- MVG25 is available to suit MX and BX nozzles in 13 and 16 series
- Reduced moulding pressure
- Increased moulding window
- Lower mould filling stress results in better part quality
- Reduced gate cooling requirements

## Installation and Maintenance

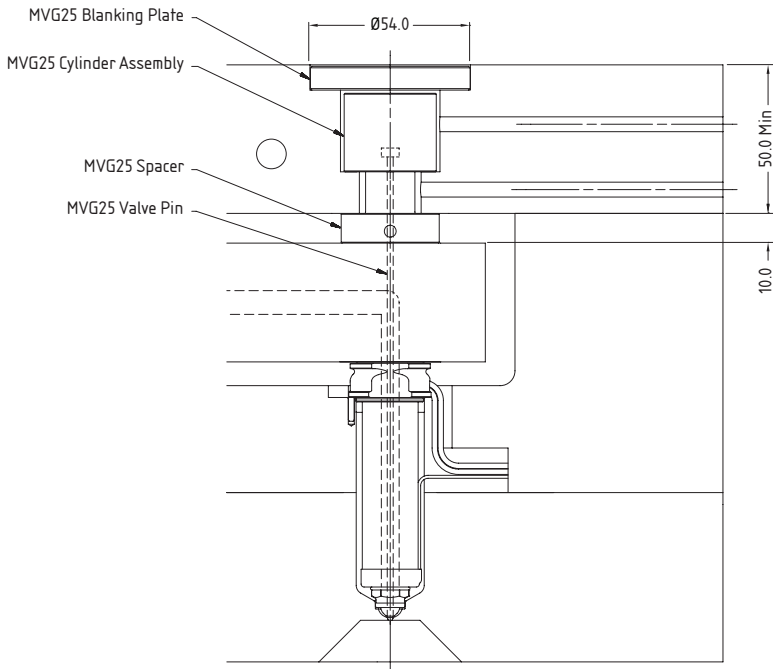
- Easy machining and installation
- Easy seal replacement

# MVG25 Valve Gate Technology

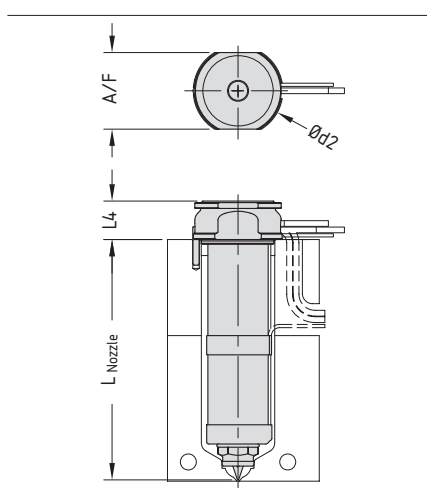
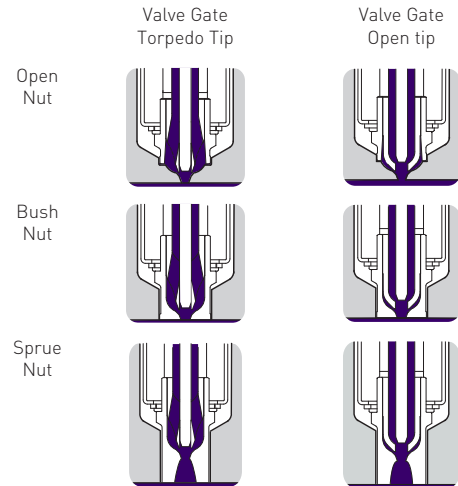


smart hot runner solutions

## Hot Half Section



## Gating Options



Availability				
	13 Series		16 Series	
	MX	BX	MX	BX
L	45			
	55			
	65			
	75			
	95			
	115			
	145			
175				
A/F	24	31	26	34
d2	28	34	30	38
L4	12			

Valve Gate Assembly		
	13 Series *	16 Series
	MX / BX	MX / BX
Model	MVG25 - 2.0	MVG25 - 2.5
Actuation Type	Pneumatic	
Pin Size	2.0	2.5
Stroke	7	

\* 13 Series available in open nut and open tip only  
All measurements are in millimetres

### Mastip Head Office New Zealand

558 Rosebank Road  
Avondale, Auckland, New Zealand  
PO Box 90651, Victoria Street West,  
Auckland 1142, New Zealand  
Phone: +64 9 970 2100  
Fax: +64 9 970 2070  
Email: mastip@mastip.com

### Mastip Regional Office Europe

Phone: +33 4 724 72 800  
Fax: +33 4 724 72 801  
Email: europe@mastip.com

### Mastip Regional Office China

Phone: +86 138 1738 0993  
Email: china@mastip.com

### Mastip Regional Office North America

Phone: +1 262 644 9400  
Fax: +1 262 644 9402  
Email: northamerica@mastip.com

